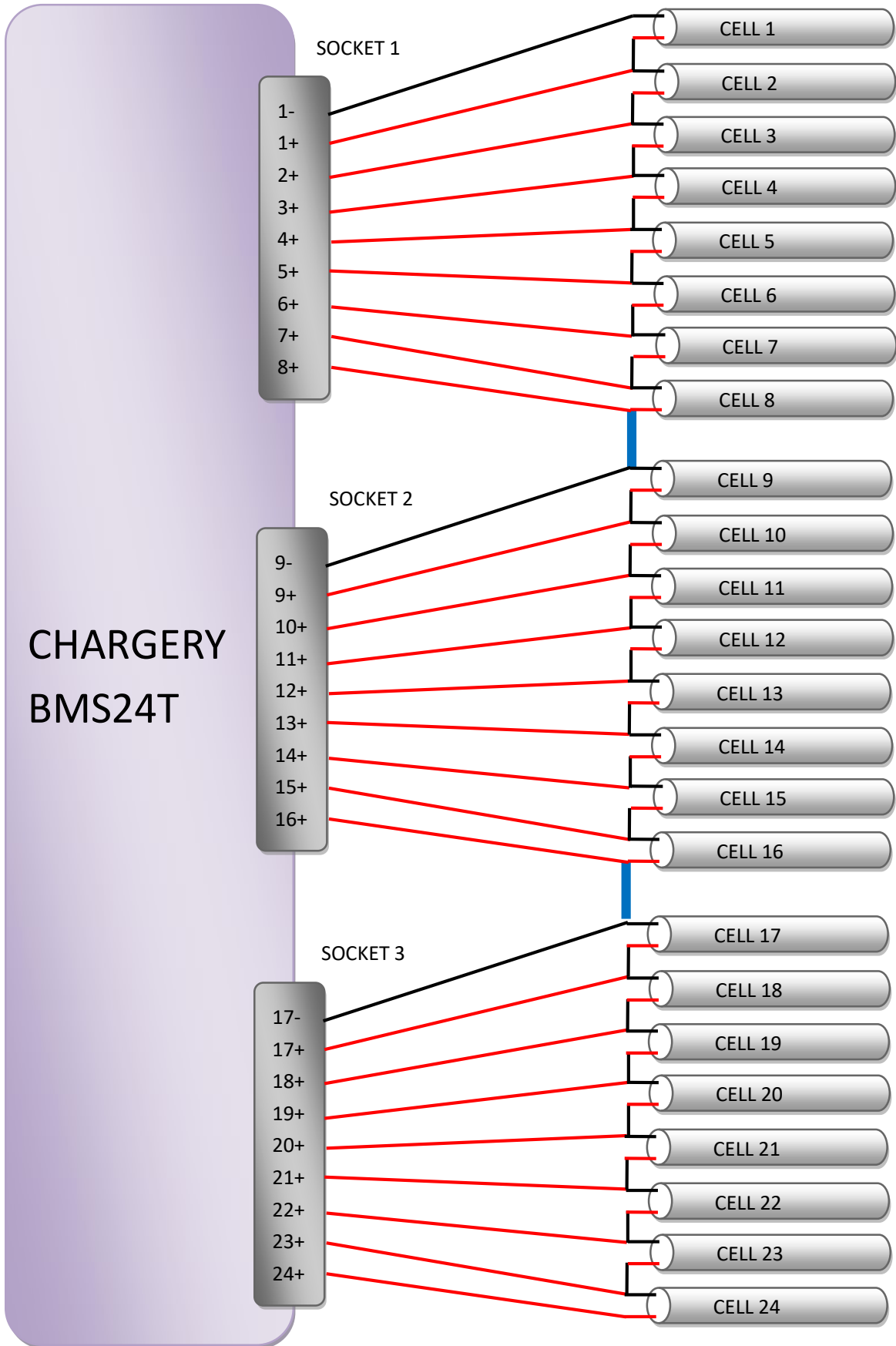
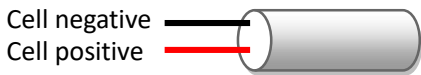
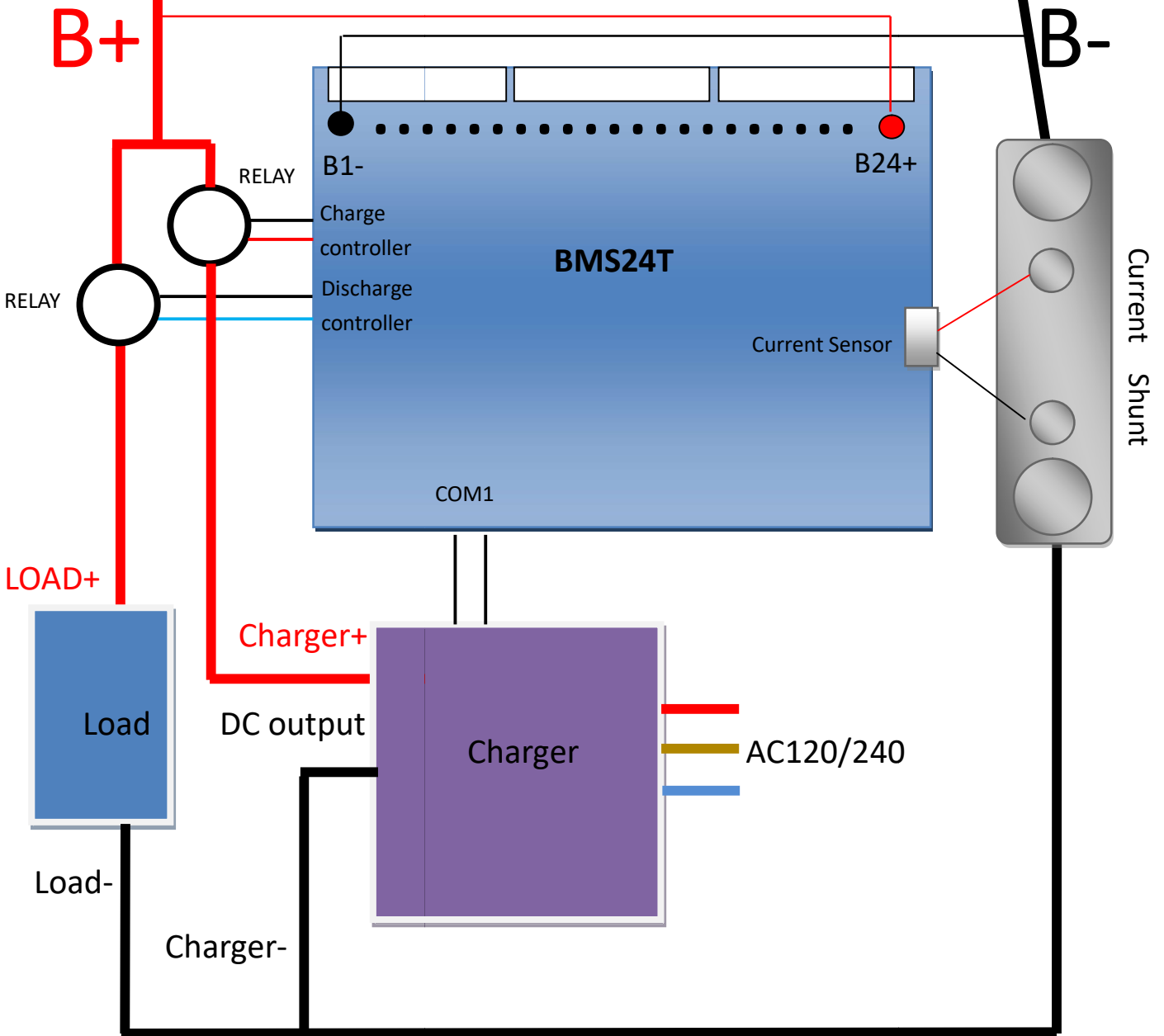
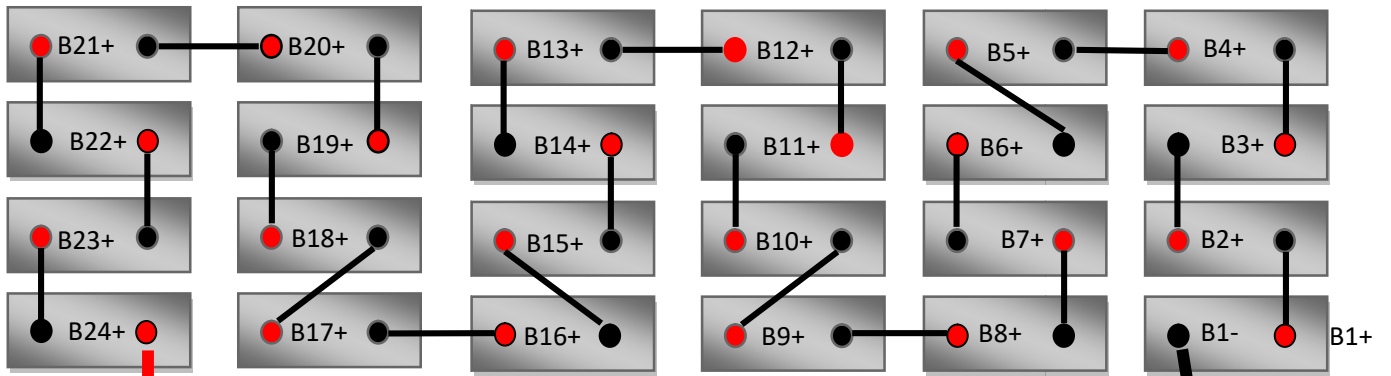


CHARGER BMS24T connection diagram for 24S LiPo/LiFe/LiTO battery pack

24 CELLS Connected in series first and then connect to BMS24



- Cell positive
- Cell negative



24S 1500W charger, BMS24T and 24S LiPo battery

